

Features

- Universal input 100~240V AC
- US Plug type
- Operating Temperature Range: 0~40°
- Lugged Desktop Power Supply (PSU)
- Approved to CE, cULus, TUV, RCM (C-Tick), RoHS & REACH
- Safety standards to IEC/EN/UL 62368-1
- EMC EN61000-3-2, EN55032 Class B
- Single Output 9~24V DC
- OVP, OCP, OTP & Short Circuit



Ideal Power's 23SW-xyz-S10B-US 65W AC/DC Lugged External Desktop Power Supply (PSU) Series are certified to CE, cULus, TUV, RCM (C-Tick), RoHS, REACH & UL/IEC/EN 62368-1 Standards and comply with Efficiency Regulations. These are primarily used in ITE, Audio & Video Industries and customised solutions are available upon request.

Models

Model Number	Output Voltage	Output Current	Output Power
23SW-00090600-S10B-US	9V DC	6A	54W
23SW-00120500-S10B-US	12V DC	5A	60W
23SW-00150400-S10B-US	15V DC	4A	60W
23SW-00180330-S10B-US	18V DC	3.3A	60W
23SW-00240271-S10B-US	24V DC	2.71A	65W

Input Specifications

	Min	Typ	Max	Unit	Notes
Input voltage	90		264	V AC	100-240VAC +/- 10%
Input frequency	47		63	Hz	50-60Hz +/- 5%
Input current			0.6		
Input inrush current			50	A	At cold start, 100/ 240V AC
Leakage current			0.25	mA	

Output Specifications

	Min	Typ	Max	Unit	Notes
Output voltage accuracy		5		%	
Ripple & Noise		120		mV	
Over current protection					OCP Limits to 120~150& Auto Start. PSU will auto recover after OC.
Short circuit protection					Continuous SCP. Will recover if fault condition is removed
Over voltage protection					Will recover if fault condition is removed

Environmental Data

	Min	Typ	Max	Unit	Notes
Operating temperature	0		+40	°C	
Storage temperature	-20		+85	°C	
Operating humidity	10		90	%	Operating 10% to 90%
Storage humidity	5		95	%	Storage 5% to 95%

Other Information

	Min	Typ	Max	Unit	Notes
MTBF		50,000		hrs	At 25°C, Full load and nominal
Weight					200 +/-10g Depending on model
Dimensions					Refer to mechanical drawings

EMC Emissions (2014/30/EU)

	Standard	Test Level	Criteria	Notes
Conducted	EN55032	Class B		EMC Directive 2014/30/EU
Radiated	EN55032	Class B		
Harmonic	EN61000-3-2	Class D		P.F. shall >0.95 @100Vac input and >0.9 @240Vac input

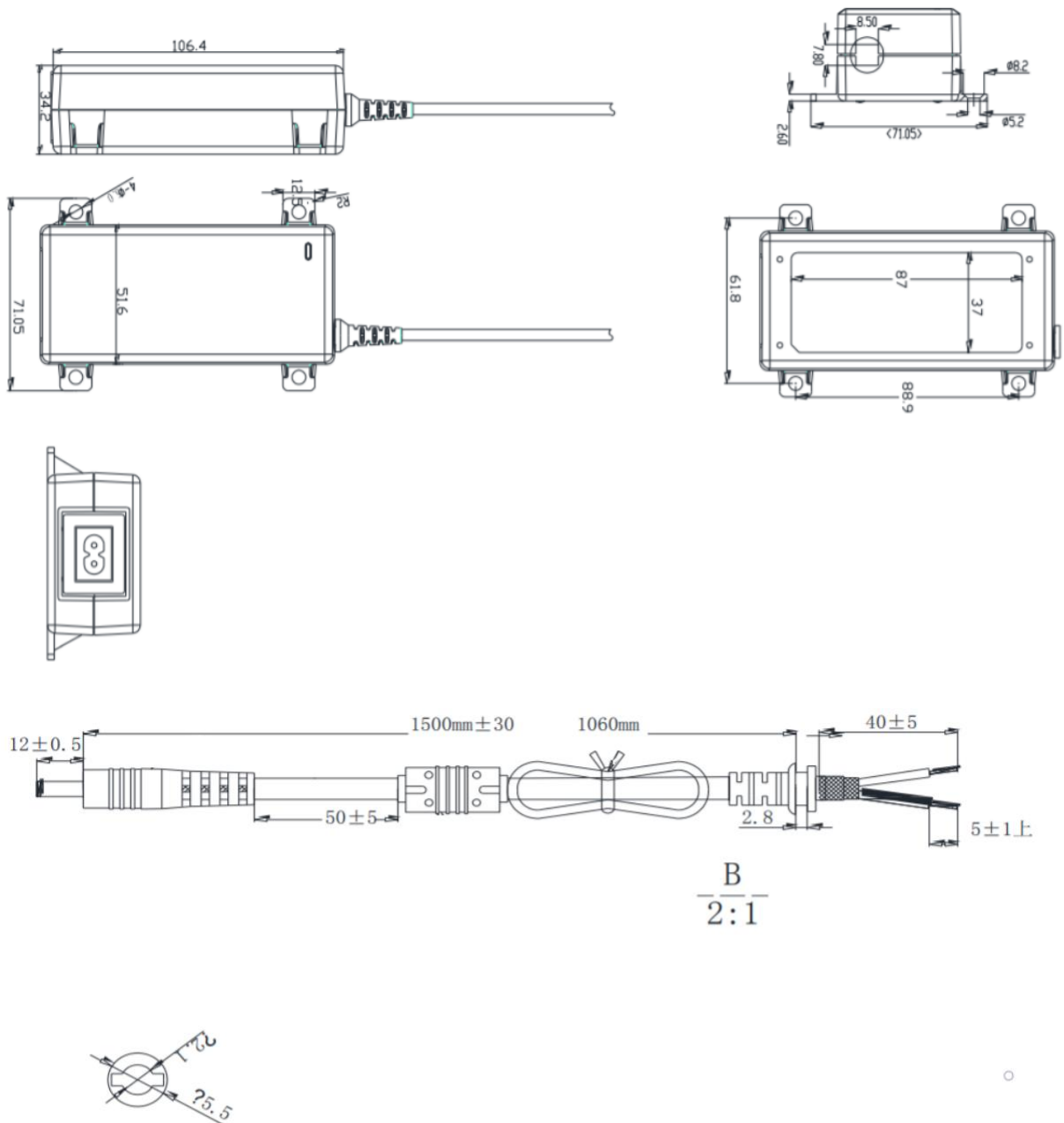
EMC Immunity (2014/30/EU)

	Standard	Test Level	Criteria	Notes
EMS	EN55032			
EMS	EN61204-3			
ESD	IEC61000-4-2			
RS	IEC61000-4-3			
EFT	IEC61000-4-4			
Surge	IEC61000-4-5			

Safety Approvals

	Safety Standards
RoHS/REACH	RoHS Directive (EU) 2015/863 & REACH (209 SVHC)
CE LVD Directive 2014/35/EU	62368-1
FCC	Yes
cURus	Yes (US)
TUV	Yes
RCM & C-Tick	Yes

Mechanical Drawing



AC - DC

Mains Lead

